



MAXIPOL SYSTEM

Total modular
polyester construction

Physical and mechanical performance



Impact resistance
IK10
IK08 (glazed door)



Double insulated



Corrosion environment
IP55



Corrosion resistant



Self-extinguishing
960°



Light



Easily machined

Total flexibility

The cabinet modules can be fitted vertically, horizontally and back to back, allowing many different combinations.



Two depths

320 mm and 420 mm.
For electronics,
19" racks, public lighting, etc



Top cover modules

- Flat top (IP55)
- Rain canopy, front and back ventilation. (IP43 or IP55 on request)



Two types of hinges

- Internal hinges allow the door to be opened 105°.
- External hinges, 180°. The system allows the fitting and removal of the door without a single tool.



Protection degree

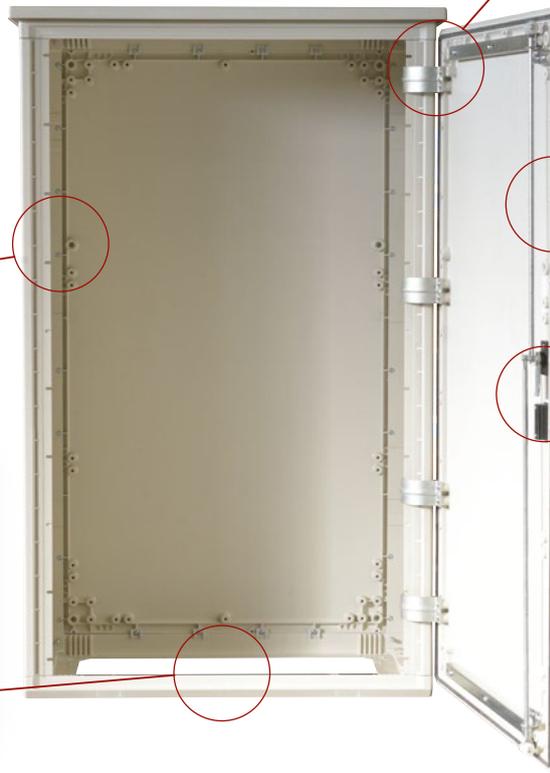
- IP55 according to IEC 60529
- IK10 according to IEC 62262 (standard)
- IK08 in accordance with IEC 62262 (glazed window)

Back plate fixing

All enclosures include the fixings necessary to mount the back plate.

Customization

Save costs using our machining service.



Polyurethane gasket

Preformed and premounted throughout the range.

Fixing accessories

Wall-mounting, floorstanding or pole mounting.



Locking systems

3-point locking mechanism operated by swing-handle.
Different profile half cylinder locks



Accessories

Locks

Wide range of locking devices with swing handle to suit the complete range of enclosures.



(Standard)
Double-bit 3 mm
Ref. 06PGCR0001



With JIS barrel
Ref. 06PGCR0002
Europrofile without barrel
Ref. 06PGCR0003



Triangular 11 mm
Ref. 06PGCR0004



Triangular 11 mm +
Padlocking handle
Ref. 06PGCR0005



Wall fixing lugs (Set of 4 pieces)

- For standard enclosures :
- For enclosures with rain canopy:

Zinc coated
Inox

Ref. 06PGAD0001
Ref. 06PGAD0002

Zinc coated
Inox

Ref. 06PGAD0003
Ref. 06PGAD0004



Door stop

Maximum door opening angle 105°

Ref. 06PGAD0005



Ventilation device

To allow ventilation in the cabinet
Made of polyester.

(Two air vents must be mounted per enclosure
to ensure the correct air circulation).

Ref. 06PEAD0002



Document pocket

Self-adhesive

Ref. 06PGAD0006



Step slides

Set of 4 step slides with brackets allowing continuous depth adjustment
of the mounting plate.

- For cabinets 300 mm depth
- For cabinets 420 mm depth

Ref. 06PGAD0007
Ref. 06PHAD0001



		Dimensions (mm)	Height x Width → Depth ↓			
	CABINETS		300	MX 553 06PG220001	MX 573 06PG230001	MX 753 06PG320001
			420	MX 554 06PH220001	MX 574 06PH230001	MX 754 06PH320001
	MOUNTING PLATES	Polyester	300 / 420	PMX55 06PGPP0001	PMX57 06PGPP0002	PMX75 06PGPP0003
		Metallic	300 / 420	PMMX55 06PGPM0001	PMMX57 06PGPM0002	PMMX75 06PGPM0003
		Galvanised steel frame	300	MA MX3/500 06PGMM0001	MA MX3/750 06PGMM0002	MA MX3/500 06PGMM0001
			420	MA MX4/500 06PHMM0001	MA MX4/750 06PHMM0002	MA MX4/500 06PHMM0001
		Polyester plinth, 60 mm height	300	ZP MX3/500 06PGZP0001	ZP MX3/750 06PGZP0002	ZP MX3/500 06PGZP0001
			420	ZP MX4/500 06PHZP0001	ZP MX4/750 06PHZP0002	ZP MX4/500 06PHZP0001
	FLOOR MOUNTING SYSTEMS	Metallic plinth, 85 mm height	300	ZM MX3/500 06PGZM0001	ZM MX3/750 06PGZM0002	ZM MX3/500 06PGZM0001
			420	ZM MX4/500 06PHZM0001	ZM MX4/750 06PHZM0002	ZM MX4/500 06PHZM0001
		Polyester pedestal with hinged door, 500 mm height, to facilitate the fitting and control of cables	300	ZS MX3/500 06PGPS0001	ZS MX3/750 06PGPS0002	ZS MX3/500 06PGPS0001
			420	ZS MX4/500 06PHPS0001	ZS MX4/750 06PHPS0002	ZS MX4/500 06PHPS0001
		Polyester built-in floor pedestal with hinged door, 375 mm height	300	ZE MX3/500 06PGPE0001	ZE MX3/750 06PGPE0002	ZE MX3/500 06PGPE0001
			420	ZE MX4/500 06PHPE0001	ZE MX4/500 06PHPE0001	ZE MX4/500 06PHPE0001
		Floor brackets	300			
			420			

Cabinets are also available with:

BOTTOM OPENING:

Add to the code and description **A**

RAIN CANOPY:

Add to the code and description **T**

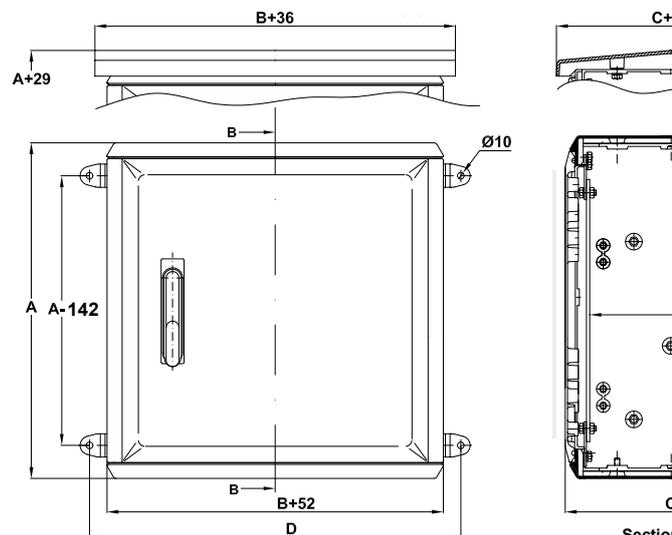
GLAZED DOOR:

Add to the code and description **V**

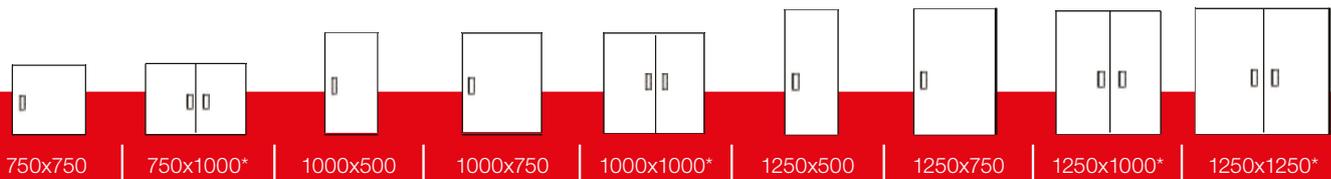
Example:

Ref. E473111-ATV = Cabinet of 500 mm height x 750 mm width x 420 mm depth, open bottom, with rain canopy and glazed door.

* 2-door enclosures are supplied with a central doorpost piece. On request it can be fixed, removable or integrated.



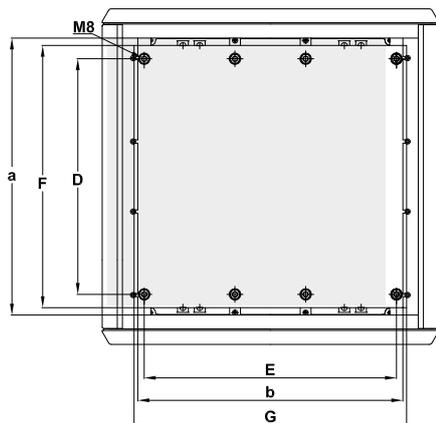
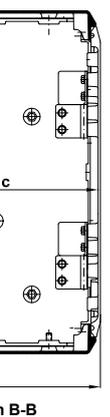
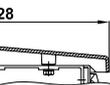
Product range



MX 773 06PG330001	MX 7103/2P* 06PG340001	MX 1053 06PG420001	MX 1073 06PG430001	MX 10103/2P* 06PG440001	MX 1253 06PG520001	MX 1273 06PG530001	MX 12103/2P* 06PG540001	MX 12123/2P* 06PG550001
MX 774 06PH330001	MX 7104/2P* 06PH340001	MX 1054 06PH420001	MX 1074 06PH430001	MX 10104/2P* 06PH440001	MX 1254 06PH520001	MX 1274 06PH530001	MX 12104/2P* 06PH540001	MX 12124/2P* 06PH550001
PMX77 06PGPP0004	PMX710 06PGPP0005	PMX105 06PGPP0006	PMX107 06PGPP0007	PMX1010 06PGPP0008	PMX125 06PGPP0009	PMX127 06PGPP0010	On request	On request
PMMX77 06PGPM0004	PMMX710 06PGPM0005	PMMX105 06PGPM0006	PMMX107 06PGPM0007	PMMX1010 06PGPM0008	PMMX125 06PGPM0009	PMMX127 06PGPM0010	On request	On request
MA MX3/750 06PGMM0002	MA MX3/1000 06PGMM0003	MA MX3/500 06PGMM0001	MA MX3/750 06PGMM0002	MA MX3/1000 06PGMM0003	MA MX3/500 06PGMM0001	MA MX3/750 06PGMM0002	MA MX3/1000 06PGMM0003	MA MX3/1250 06PGMM0004
MA MX4/750 06PHMM0002	MA MX4/1000 06PHMM0003	MA MX4/500 06PHMM0001	MA MX4/750 06PHMM0002	MA MX4/1000 06PHMM0003	MA MX4/500 06PHMM0001	MA MX4/750 06PHMM0002	MA MX4/1000 06PHMM0003	MA MX4/1250 06PHMM0004
ZP MX3/750 06PGZP0002	ZP MX3/1000 06PGZP0003	ZP MX3/500 06PGZP0001	ZP MX3/750 06PGZP0002	ZP MX3/1000 06PGZP0003	ZP MX3/500 06PGZP0001	ZP MX3/750 06PHGZP0002	ZP MX3/1000 06PGZP0003	ZP MX3/1250 06PGZP0004
ZP MX4/750 06PHZP0002	ZP MX4/1000 06PHZP0003	ZP MX4/500 06PHZP0001	ZP MX4/750 06PHZP0002	ZP MX4/1000 06PHZP0003	ZP MX4/500 06PHZP0001	ZP MX4/750 06PHZP0002	ZP MX4/1000 06PHZP0003	ZP MX4/1250 06PHZP0004
ZM MX3/750 06PGZM0002	ZM MX3/1000 06PGZM0003	ZM MX3/500 06PGZM0001	ZM MX3/750 06PGZM0002	ZM MX3/1000 06PGZM0003	ZM MX3/500 06PGZM0001	ZM MX3/750 06PGZM0002	ZM MX3/1000 06PGZM0003	ZM MX3/1250 06PGZM0004
ZM MX4/750 06PHZM0002	ZM MX4/1000 06PHZM0003	ZM MX4/500 06PHZM0001	ZM MX4/750 06PHZM0002	ZM MX4/1000 06PHZM0003	ZM MX4/500 06PHZM0001	ZM MX4/750 06PHZM0002	ZM MX4/1000 06PHZM0003	ZM MX4/1250 06PHZM0004
ZS MX3/750 06PGPS0002	ZS MX3/1000 06PGPS0003	ZS MX3/500 06PGPS0001	ZS MX3/750 06PGPS0002	ZS MX3/1000 06PGPS0003	ZS MX3/500 06PGPS0001	ZS MX3/750 06PGPS0002	ZS MX3/1000 06PGPS0003	ZS MX3/1250 06PGPS0004
ZS MX4/750 06PHPS0002	ZS MX4/1000 06PHPS0003	ZS MX4/500 06PHPS0001	ZS MX4/750 06PHPS0002	ZS MX4/1000 06PHPS0003	ZS MX4/500 06PHPS0001	ZS MX4/750 06PHPS0002	ZS MX4/1000 06PHPS0003	ZS MX4/1250 06PHPS0004
ZE MX3/750 06PGPE0002	ZE MX3/1000 06PGPE0003	ZE MX3/500 06PGPE0001	ZE MX3/750 06PGPE0002	ZE MX3/1000 06PGPE0003	ZE MX3/500 06PGPE0001	ZE MX3/750 06PGPE0002	ZE MX3/1000 06PGPE0003	ZE MX3/1250 06PGPE0004
ZE MX4/750 06PHPE0002	ZE MX4/1000 06PHPE0003	ZE MX4/500 06PHPE0001	ZE MX4/750 06PHPE0002	ZE MX4/1000 06PHPE0003	ZE MX4/500 06PHPE0001	ZE MX4/750 06PHPE0002	ZE MX4/1000 06PHPE0003	ZE MX4/1250 06PHPE0004

MX3 CF
06PGEF0001 (Set of 2 pieces)

MX4 CF
06PHEF0001 (Set of 2 pieces)



Enclosure dimensions (mm)

Mounting plate

(mm)	A	a	B	b	C	c	D	E	F	G
MX 553/554	510	412	500	405	312/420	274/382	353	375	393	405
MX 573/574	510	412	750	655	312/420	274/382	353	625	393	655
MX 753/754	760	662	500	405	312/420	274/382	603	375	634	405
MX 773/774	760	662	750	655	312/420	274/382	603	625	634	655
MX 7103/71042P	760	662	1000	905	312/420	274/382	603	875	634	905
MX 1053/1054	1.010	912	500	405	312/420	274/382	853	375	893	405
MX 1073/1074	1.010	912	750	655	312/420	274/382	853	625	893	655
MX 10103/101042P	1.010	912	1.000	905	312/420	274/382	853	875	893	905
MX 1253/1253	1.260	1.162	500	405	312/420	274/382	1.103	375	1143	405
MX 1273/1274	1.260	1.162	750	655	312/420	274/382	1.103	625	1143	655
MX 12103/121042P	1.260	1.162	1.000	905	312/420	274/382	1.103	875	1143	905
MX 12123/121242P	1.260	1.162	1.250	1.155	312/420	274/382	1.103	1.125	1.143	1.155



CAHORS INTERNATIONAL
ZI de Regourd • CS 90149 • 46003 Cahors cedex 9 - FRANCE
Tel. +33 (0)5 65 35 82 01 • Fax +33 (0)5 65 35 82 14
Email. sales.support@groupe-cahors.com
www.groupe-cahors.com