

## Physical and mechanical performance



**Impact resistance**  
IK10



**Double insulated**



**Corrosion environment**  
IP66



**Corrosion resistant**



**Self-extinguishing**  
960°



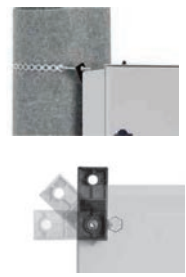
**Light**



**Easily machined**

### Mounting

Wall mounting.  
Pole fixing.



### Easy to machine

Vertical patterns in the interior of the doors, which enables the correct fitting of devices.



### Security

The chassis and internal door maintain an IP20 when the external door is open.



### Degrees of protection

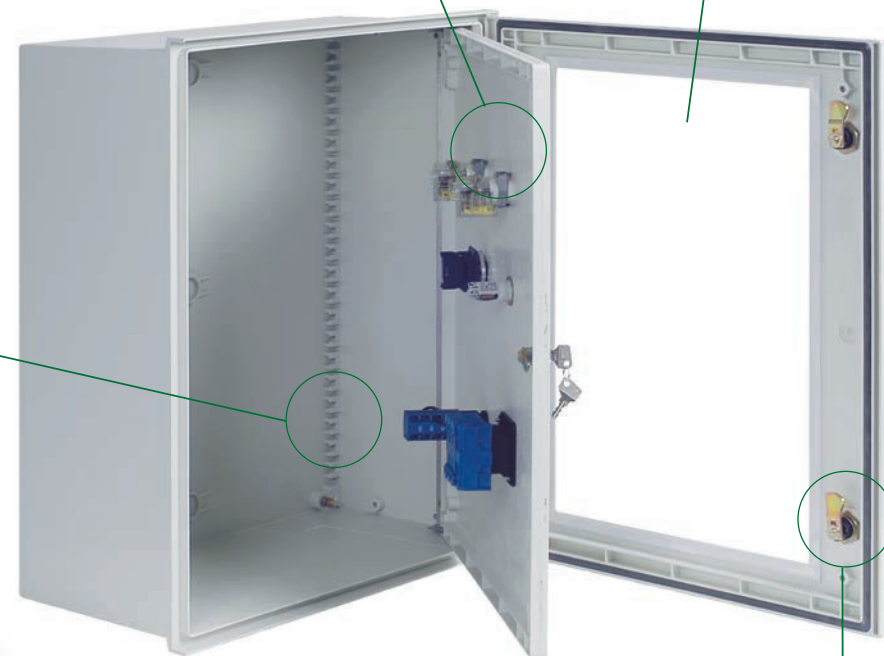
- IP66 in accordance with IEC 60529
- IK10 in accordance with IEC 62262 (standard)
- IK08 in accordance with IEC 62262 (glazed window)

### Two types of doors

- Plain: permits the mounting of devices in the door.
- Glazed: Combined with mounting plate, chassis and/or internal door permits you to see meters, devices, lamps, etc. maintaining the levels of IP and security.

### Easy fitting

Quick fixture guides in the back permits fitting without drilling.



### Total flexibility

The cabinets are possible to fit horizontally or vertically, obtaining endless combinations.



### Internal ZAMAK hinge

180° door opening warranted.  
Corrosion free.  
INOX AISI 316 available under request.



### Locking systems

Different basic closing and locking systems.  
Customization on request.



## MINIPOL SYSTEM

Hot moulded GRP



[www.cahors-ced.com](http://www.cahors-ced.com)  
[www.groupe-cahors.com](http://www.groupe-cahors.com)

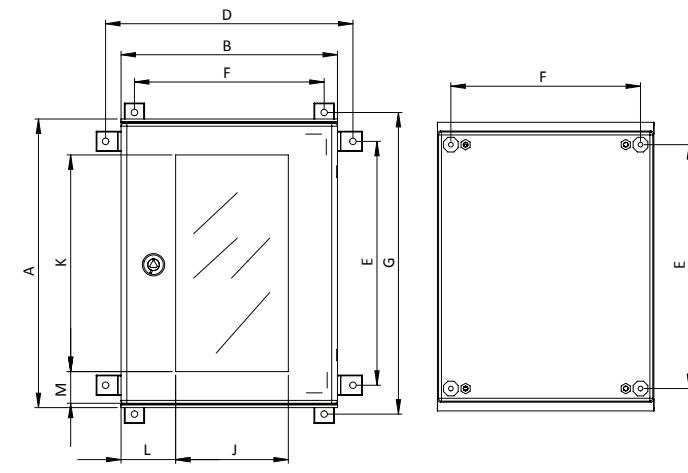
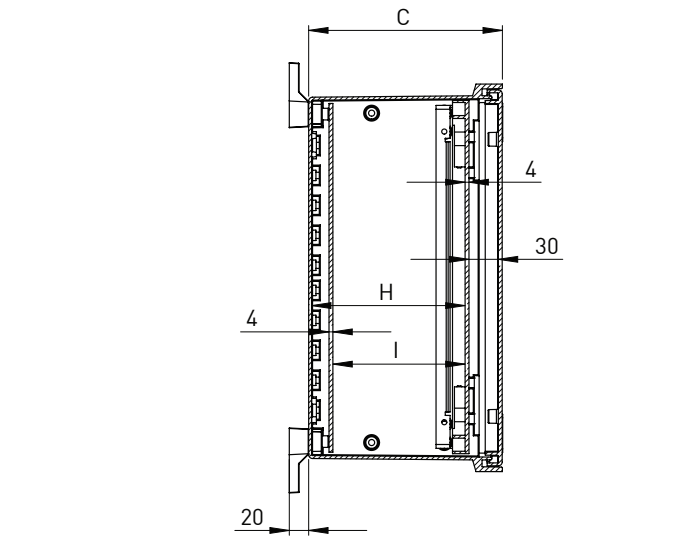




## Product range

## Accessories

Dimensions (mm)	300x250x140	400x300x200	400x400x200	500x400x200	600x400x230	600x500x230	800x600x300	
Plain door Supplied with 2 double bit lock 3.0 mm IP66.	MN 321 <b>E 470.071</b> (1 double bit lock)	MN 432 <b>E 470.072</b>	MN 442 <b>E 470.024</b>	MN 542 <b>E 470.073</b>	MN 642 <b>E 470.095</b>	MN 652 <b>E 470.074</b>	MN 863 <b>E 470.076</b>	
Plain door Three point closing device with swing handle 1 double bit lock 3.0 mm IP66.	-	MN 432/3P <b>E 472.171</b>	MN 442/3P <b>E 472.172</b>	MN 542/3P <b>E 472.173</b>	MN 642/3P <b>E 472.174</b>	MN 652/3P <b>E 472.175</b>	MN 863/3P <b>E 472.176</b>	
Glazed door Supplied with 2 double bit lock 3.0 mm IP66.	MN 321-V <b>E 470.071-V</b> (1 double bit lock)	MN 432-V <b>E 470.072-V</b>	MN 442-V <b>E 470.024-V</b>	MN 542-V <b>E 470.073-V</b>	MN 642-V <b>E 470.095-V</b>	MN 652-V <b>E 470.074-V</b>	MN 863-V <b>E 470.076-V</b>	
Glazed door Three point closing device with swing handle 1 double bit lock 3.0 mm IP66.	-	MN 432/3P-V <b>E 472.171-V</b>	MN 442/3P-V <b>E 472.172-V</b>	MN 542/3P-V <b>E 472.173-V</b>	MN 642/3P-V <b>E 472.174-V</b>	MN 652/3P-V <b>E 472.175-V</b>	MN 863/3P-V <b>E 472.176-V</b>	
Polyester mounting plate 4 mm thickness	MN P32 <b>E 976.771</b>	MN P43 <b>E 976.772</b>	MN P44 <b>E 976.779</b>	MN P54 <b>E 976.773</b>	MN P64 <b>E 976.795</b>	MN P65 <b>E 976.774</b>	MN P86/4 <b>E 976.776</b>	
Metal mounting plate Galvanized steel 2 mm thickness	MN PM32 <b>E 976.771-M</b>	MN PM43 <b>E 976.772-M</b>	MN PM44 <b>E 976.779-M</b>	MN PM54 <b>E 976.773-M</b>	MN PM64 <b>E 976.795-M</b>	MN PM65 <b>E 976.774-M</b>	MN PM86/4 <b>E 976.776-M</b>	
Perforated mounting plate (TELEQUICK) Zinc plated steel Allows quick fixing of devices by using M4, M5 and M6 screw nuts	PBR32 <b>E 976.771-MP</b>	PBR43 <b>E 976.772-MP</b>	PBR44 <b>E 976.779-MP</b>	PBR54 <b>E 976.773-MP</b>	PBR64 <b>E 976.795-MP</b>	PBR65 <b>E 976.774-MP</b>	PBR86 <b>E 976.776-MP</b>	
Internal door Made of polyester Installation kit included	-	MN PI43 <b>E 926.672</b>	MN PI44 <b>E 926.679</b>	MN PI54 <b>E 926.673</b>	MN PI64 <b>E 926.695</b>	MN PI65 <b>E 926.674</b>	MN PI86 <b>E 926.676</b>	
Chassis for the fitting of modular devices Composed of a chassis, die cast plates and DIN profiles for fixing the devices	N° of modules N° of banks	MN CH43 <b>E 926.396</b> 24 2 x 12	MN CH44 <b>E 926.599</b> 36 2 x 18	MN CH54 <b>E 926.397</b> 54 3 x 18	MN CH64 <b>E 926.474</b> 54 3 x 18	MN CH65 <b>E 926.398</b> 116 3 x 23	MN CH86/4 <b>E 926.399</b> 145 4 x 29	MN CH86/5 <b>E 926.399-5</b> 145 5 x 29
Die cast plates Knockouts for DIN Switchgear Plates in self-extinguishing insulating material	152 mm height 178 mm height 202 mm height	- CC-400/178 <b>E 926.743</b> -	CC-400/152 <b>E 926.740</b> CC-400/178 <b>E 926.744</b> CC-400/202 <b>E 926.746</b>	CC-400/152 <b>E 926.740</b> CC-400/178 <b>E 926.744</b> CC-400/202 <b>E 926.746</b>	CC-400/152 <b>E 926.740</b> CC-400/178 <b>E 926.744</b> CC-400/202 <b>E 926.746</b>	CC-500/152 <b>E 926.741</b> -	CC-600/152 <b>E 926.742</b> CC-600/178 <b>E 926.745</b> CC-600/202 <b>E 926.748</b>	
Mounting plate for modular chassis For the fixing of non-modular switchgear Galvanized steel	152 mm height 178 mm height 202 mm height	- PB-300/178 <b>E 977.703</b> -	PB-400/152 <b>E 977.700</b> PB-400/178 <b>E 977.704</b> PB-400/202 <b>E 977.706</b>	PB-400/152 <b>E 977.700</b> PB-400/178 <b>E 977.704</b> PB-400/202 <b>E 977.706</b>	PB-400/152 <b>E 977.700</b> PB-400/178 <b>E 977.704</b> PB-400/202 <b>E 977.706</b>	PB-500/152 <b>E 977.701</b> -	PB-600/152 <b>E 977.702</b> PB-600/178 <b>E 977.705</b> PB-600/202 <b>E 977.708</b>	
Pole mounting for external, provisional intallations as construction, fairs, street lighting, etc. Set of plates and adjustable clamps Brackets and profiles of galvanised steel		FP-250 <b>E 947.240</b>	FP-300 <b>E 947.241</b>	FP-400 <b>E 947.242</b>	FP-400 <b>E 947.242</b>	FP-400 <b>E 947.242</b>	FP-500 <b>E 947.244</b>	FP-600 <b>E 947.245</b>



	MN 321	MN 432	MN 442	MN 542	MN 642	MN 652	MN 863
A	300	400	400	500	600	600	800
B	250	300	400	400	400	500	600
C	140	200	200	200	230	230	300
D	297	344	444	444	444	544	640
E	248	338	338	438	538	538	734
F	215	262	362	362	362	462	558
G	330	420	420	520	620	620	816
H	-	158	158	158	187	187	257
I	-	138	138	138	167	167	237
J	115	121	221	221	221	321	421
K	220	281	281	381	481	481	681
L	75	89,5	89,5	89,5	89,5	89,5	89,5
M	35,5	53	53	53	53	53	53

### Locks

Wide range of locks adaptables to the cabinets.



Double bit lock 3,0 mm (standard)  
Ref. E 926.456



Triangular screw 11 mm  
Ref. E 926.390



Manual with key lock  
Ref. E 926.391



Galvanized steel Ref. E 926.664  
Inox Ref. E 926.664-I

### Surface mounting

- Wall fixing set. Directly to the wall by the means of head-insulated screws.  
Ref. E 926.729



- Set of 4 adjustable brackets.  
Ref. E 926.392



### Nuts

- To fix devices with the help of perforated mounting plate

- Nut M4 Ref. E 926.730
- Nut M5 Ref. E 926.731
- Nut M6 Ref. E 926.732



### Adjustable base plate

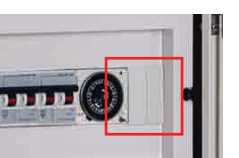
- Set of four profiles for the adjustment of the base plate, to different depths.  
Made of galvanized steel.  
Fast fixing to the cabinet

- Cabinet kit for MN 432, MN 442 y MN 542 Ref. E 926.393
- Cabinet kit for MN 642 y MN 652 Ref. E 926.394
- Cabinet kit for MN 863 Ref. E 926.395



### Shutters

- Set of shutters enabling partial covering of the window for automatic fuses.  
Made of a self-extinguishing and isolating material.  
Fast fixing.  
Set of 3 pieces of 1 module and 2 pieces of 1/2 module. Ref. E 926.728



### Ventilation device

- To allow ventilation in the cabinet  
Made of polyester.  
Little size RAL 7035 Ref. E 976.055  
Big size RAL 7035 Ref. E 976.056



### Drain valve

- Enabling drainage of possible condensation.  
Made of polyester.  
For all types of boxes Ref. E 926.691

